

## Contents

### AR-1211P [Electric Cabinet Lock]

### Specification

### Features

#### 1 Product

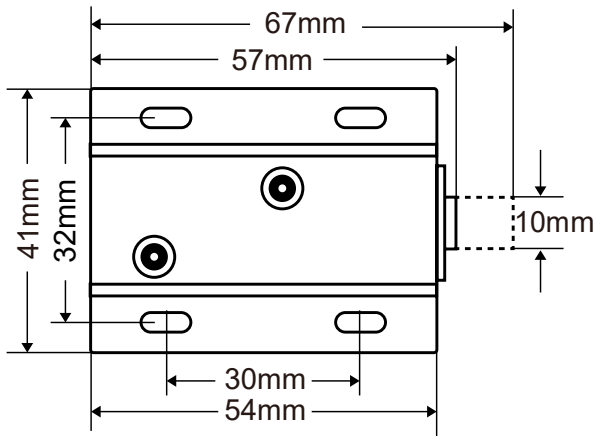


- Voltage : 12VDC
- Current : 1A
- Temperature : -40°C ~ +50°C
- Type : Fail-Secure
- Tongue Lock Direction: Lock facing down, tongue facing right
- Pin Length : 10 mm
- Dimension : 54Lx41Wx28H( mm )
- Cable Length : 200mm( Red+ / Blue- )
- Continuous power on : 50 Sec.
- Cycle Time : 100,000 times

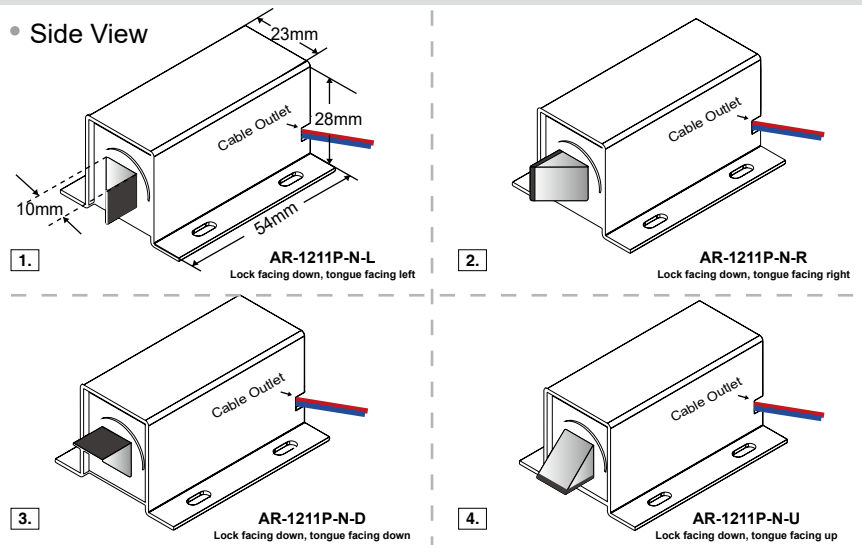
- The AR-1211P electric cabinet lock is a perfect design for cabinets having either swing or sliding doors. The cabinet lock can be surface mounted either vertically or horizontally and offers maximum flexibility for ease of installation.
- AR-1211P can also controlled by any existing access control system with multiple cabinet applications such as mail-box and club lockers.

## Dimension

#### • Bottom View



#### • Side View



## Application

